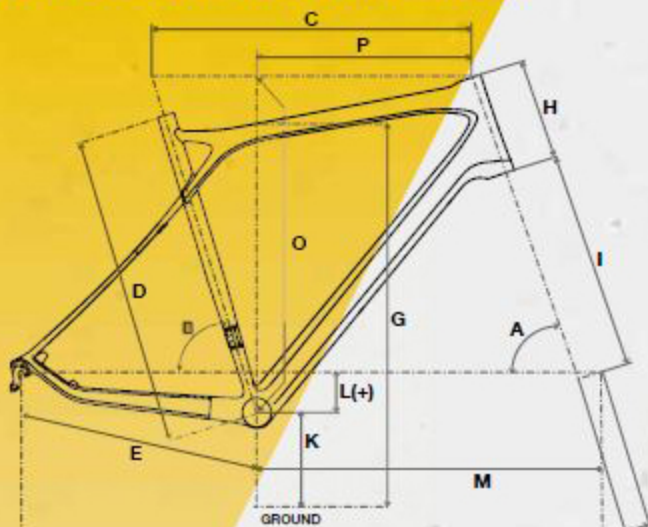


# GRADE CX GEOMETRY



| SIZE                              | 51<br>(XS) | 52<br>(S) | 54<br>(M) | 55<br>(L) | 57<br>(XL) | 59<br>(XXL) |
|-----------------------------------|------------|-----------|-----------|-----------|------------|-------------|
| D SEAT TUBE LENGTH (mm)           | 495        | 535       | 550       | 560       | 605        | 635         |
| C HORIZONTAL TOP TUBE LENGTH (mm) | 510        | 525       | 540       | 555       | 570        | 590         |
| G STAND OVER HEIGHT (mm)          | 510        | 525       | 540       | 555       | 570        | 590         |
| A HEAD ANGLE (degrees)            | 70         | 71        | 71.5      | 72.5      | 73         | 73          |
| B SEAT ANGLE (degrees)            | 74.5       | 73.5      | 73        | 73        | 72.5       | 72          |
| E CHAINSTAY LENGTH (mm)           | 420        | 420       | 420       | 420       | 420        | 420         |
| H HEAD TUBE LENGTH (mm)           | 121        | 142       | 162       | 182       | 207        | 231         |
| K BOTTOM BRACKET HEIGHT (mm)      | 275        | 275       | 275       | 275       | 275        | 275         |
| J FORK OFFSET - RAKE (mm)         | 50         | 50        | 50        | 50        | 50         | 50          |
| F WHEEL BASE (mm)                 | 996        | 992       | 998       | 1003      | 1007       | 1020        |
| L BB (mm)                         | 75         | 75        | 75        | 75        | 75         | 75          |
| M FC (mm)                         | 584        | 588       | 589       | 594       | 598        | 611         |
| O STACK TO HT (mm)                | 541        | 565       | 585       | 608       | 634        | 657         |
| P REACH TO HT (mm)                | 360        | 358       | 361       | 369       | 370        | 376         |